



煌商佑鋼鐵



傳力桿

DOWEL BAR



HK HuangShangYou Steel Industrial Limited
香港煌商佑鋼鐵實業有限公司

Tel: +852-28366968 Email: king@ulsteel.com
Phone: +852-92991977 +852-92992577 Web: www.ulsteel.com.hk
Office Add: G/F, 69C Bedford Road Tai KoK Tsui, Kowloon HongKong

傳力桿 Dowel Bar

傳力桿是一種光滑的圓鋼筋，在兩個混凝土板塊之間提供機械連接，並且不限制水平移動。其一端固定在側板內，另一端可以在鄰側板內滑動。這些鋼棒主要用於連接普通混凝土路面，增加混凝土塊之間的應力傳遞以防止混凝土路面局部受力較大而造成的混凝土路面不均勻沉降。

Dowel bar is short round, smooth steel bar used to provide a mechanical connection between two concrete slabs and allowing for any horizontal movement. It is bonded on one side and free on other side. These bars are mainly used in jointed plain concrete pavement(JPCP) to increase the stress transfer between concrete slabs to prevent uneven settlement of concrete pavement caused by local stress.

我們的混凝土傳力桿系統包括以下產品：

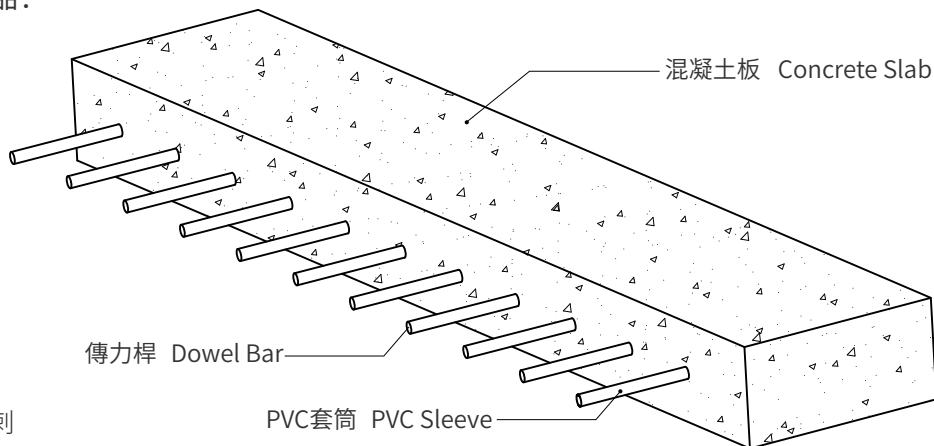
- 低碳鋼/熱浸鋅/不銹鋼傳力桿
- PVC套筒
- 可壓縮填料
- 鋼筋折彎支架

優勢：

- 負載轉移裝置的性能
- 獨特的定位施工性能
- 幾乎不收縮
- 傳力桿和拉桿都是直的
- 兩端皆為光面，且鋸切去除所有毛刺
- 切割後可鍍鋅

符合規範：

- BS4449:1997 & BS4449:1988
- 250級符合建築標準2 (CS2)
- BE EN ISO 1461:2009



Our concrete doweling system is consist of the following products:

- A mild steel or hot dip galvanized or stainless steel dowel bar
- A PVC dowel sleeve
- A Compressible Filler
- A cradle bent

Advantages:

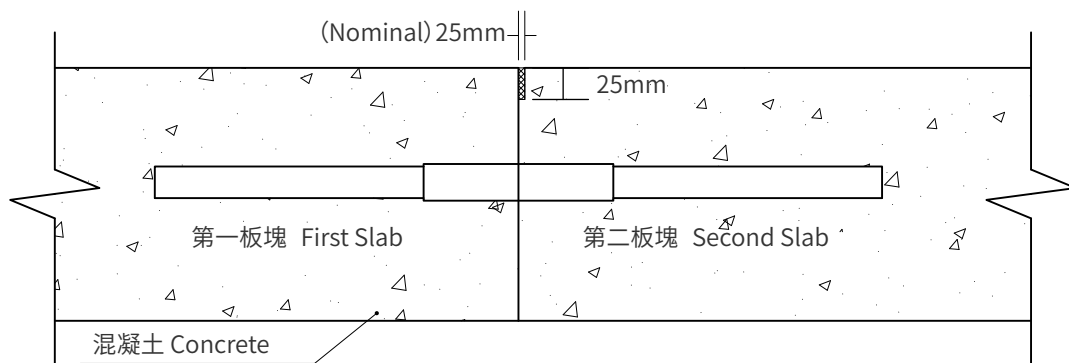
- Performance of the load transfer device
- Unique placement workability
- Exhibits little or no shrinkage
- Dowel bars and tie bars are straight
- Both ends are plain and sawn cut with all burrs removed
- Galvanization is applied after cutting

Specification Compliance:

- BS4449:1997 & BS4449:1988
- Grade 250 in according with construction standard 2 (CS2)
- BE EN ISO 1461:2009

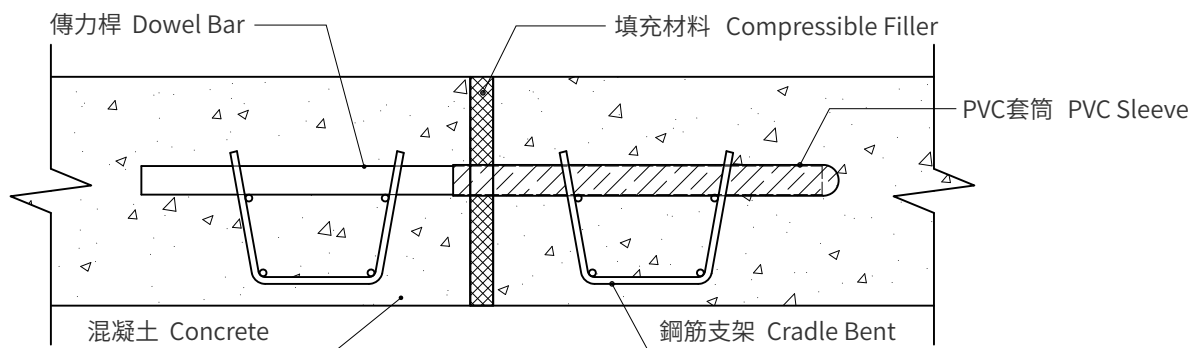


拉桿 Tie Bar



拉桿示意圖 Tie Bar Schematic Diagram

傳力桿 Dowel Bar



傳力桿系統示意圖 Dowel Bar System Schematic Diagram

尺寸 Size

桿直徑 Bar Dia. (mm)	長度 Length (mm)	套管直徑 Sleeve Dia. (mm)	PVC套管長度 PVC Sleeve Length (mm)
6	300-6000		
12	1000-6000	R12	150/300
16	600-6000	R16	400
20	600-6000	R20	400
25	600-6000	R25	400/450
32	600-6000	R32	450
40	500-6000	R40	550

傳力桿標準 Dowel Bar Specification

原料等級 Raw Material Quality	屈服強度不少於 Yield Strength Min.(MPa)	抗拉強度不少於 Tensile Strength Min.(MPa)
S235 JR	235	340
S275 JR	275	410
S355	355	490
S355 JR J2	355	490
ASTM A615 Grade 40	280	420
ASTM A615 Grade 60	420	620
ASTM A615 Grade 75	520	690
ASTM A615 Grade 80	550	725



PVC套筒 PVC Sleeve

PVC套筒用於傳力桿的活動接縫或伸縮接縫。其標稱厚度不超過1.5mm，與鋼筋緊密配合，厚度為1mm。

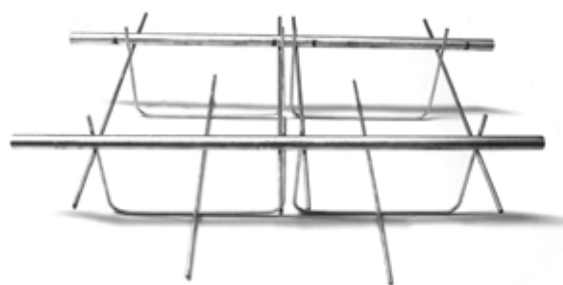
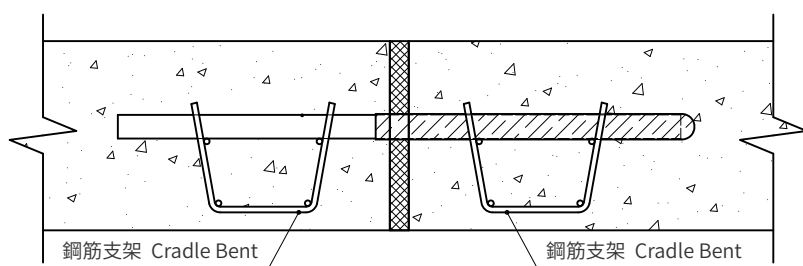
PVC Sleeve is used in dowelled movement joints or Expansion joints. It's nominal wall thickness not exceeding 1.5mm and fit tightly to the bars and thickness is 1mm.

直徑 Dia. mm	長度 Length mm	厚度 Thickness mm
20	150	0.9
20	300	0.9
20	400	0.9
25	400	0.9
25	450	0.9
25	500	0.9

鋼筋折彎支架 Cradle Bent

6mm的鋼筋折彎支架條由8mm的鋼筋冷軋製而成。

6mm cradle bent wires are manufactured by 8mm cold reducing of hot rolled steel wire rod.



鋼筋折彎支架示意圖 Cradle Bent Schematic Diagram

直徑 Dia. mm	長度 Length mm	寬度 Width mm	高度 Height mm
6	2400	230	125

特殊尺寸可根據要求提供。

Special sizes are an available upon request.